

F1E12

Databook

Confidential / Preliminary Documentation

Revision 1.1

List of Contents

- 1 General
 - 1.1 Overview
 - 1.2 Features
 - 1.3 Application
 - 1.4 Pinout Diagram & Outline Size
 - 1.5 Device Terminal Descriptions
 - 1.6 Package Dimensions

- 2 Characteristics
 - 2.1 Electrical Characteristics
 - 2.2 Radio Characteristics

- 3 Terminal Description
 - 3.1 UART
 - 3.1.1 UART Setting
 - 3.1.2 UART Bypass Mode
 - 3.2 USB
 - 3.3 I²C
 - 3.4 Audio PCM interface
 - 3.4.1 PCM Configuration

- 4 Application Schematic

- 5 Revision History

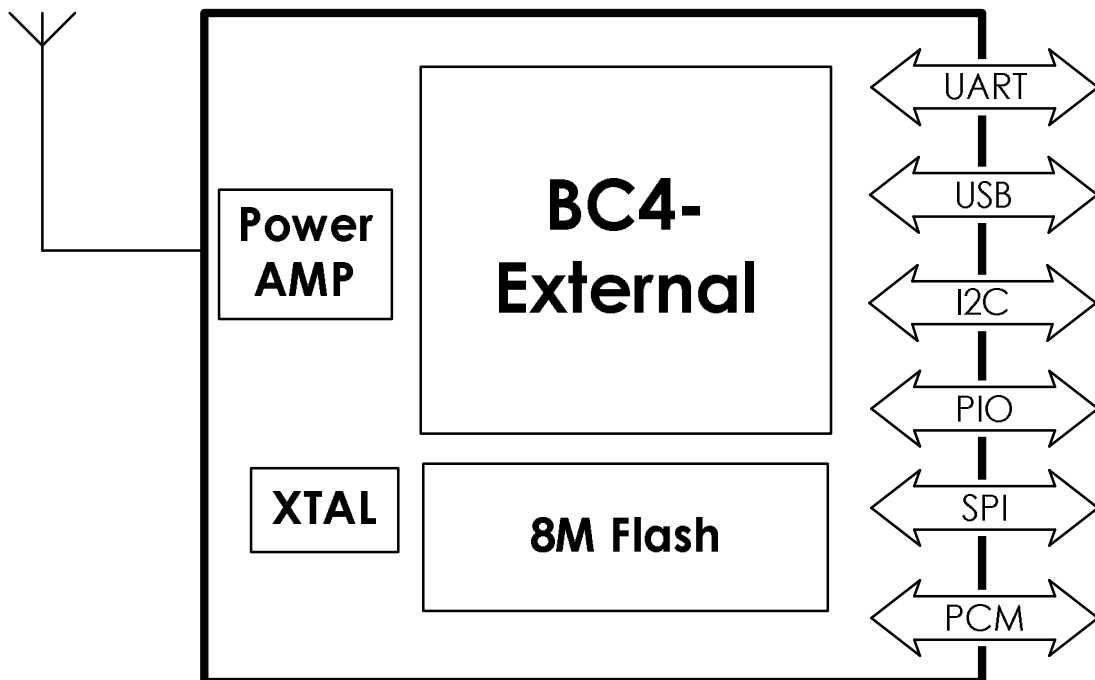
1. General

1.1 Overview

This specification covers Bluetooth module (class-1) which complies with Bluetooth specification version 3.0 integrates RF & Baseband controller in small package.

This Module has adopted CSR's BC04-External chipset.

All detailed specification including pinouts and electrical specification may be changed without notice.



Overview F1E12

